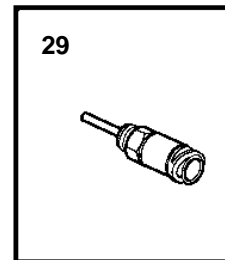
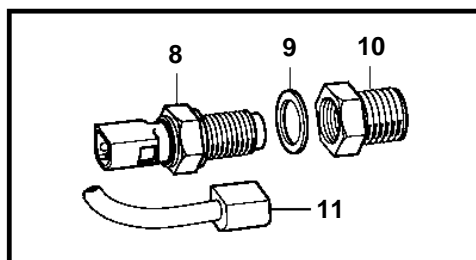
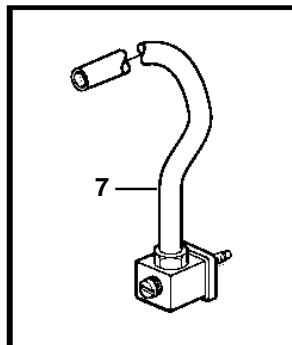
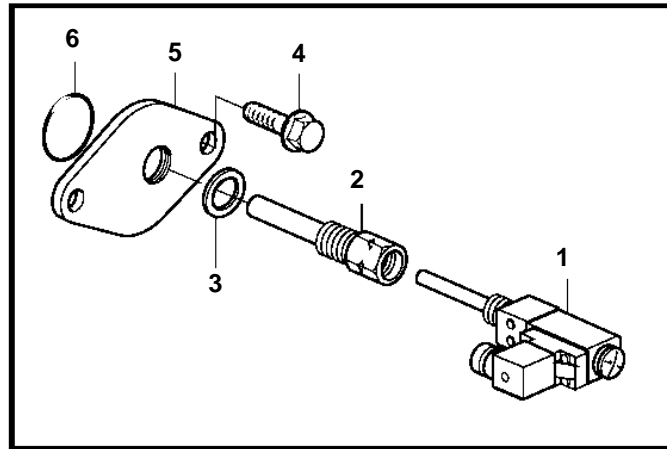
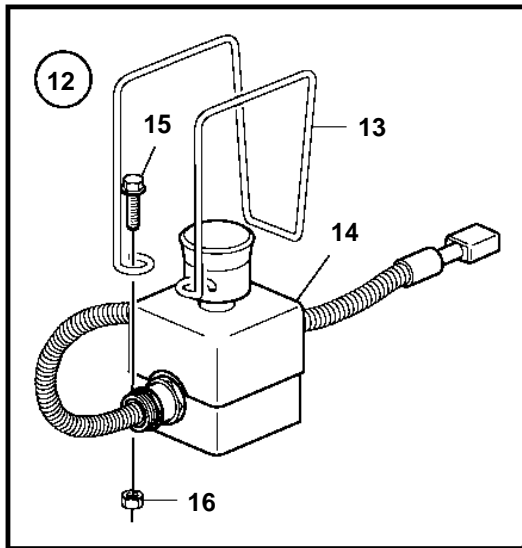
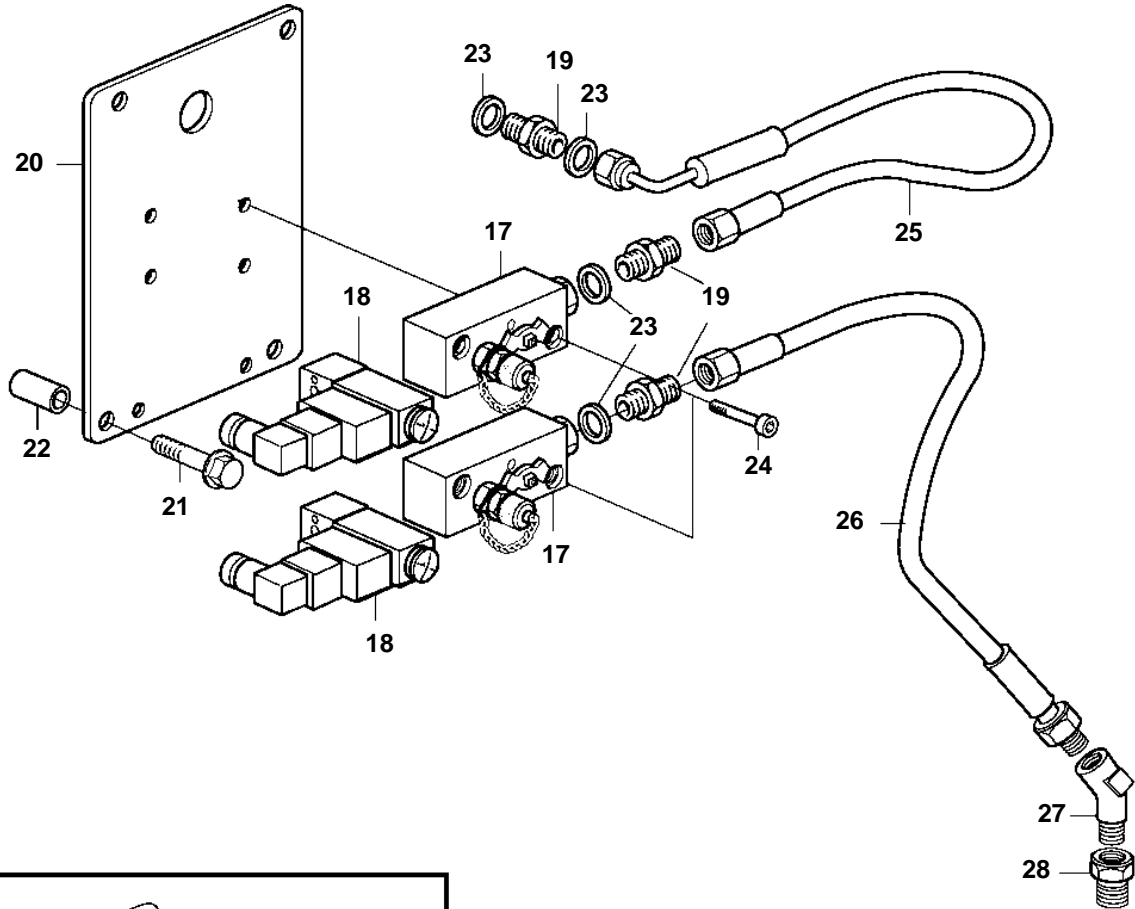


D9A2A MG



22606

D9A2A MG

REF	PART NO.	QTY	DESCRIPTION	NOTES
1	881869	1	Thermo monitor, coolant water/oil temp.	
2	873715	1	Sleeve	
3	11994	1	Gasket	
4	946671	2	Flange screw	
5	3818686	1	Cover	
6	975675	1	O-ring	
7	3588563	1	Wiring harness	L=2,0m. Extension cable for sensors, shut down.
	3588564	1	Cable harness	L=13.0' (4.0m). Extension cable for sensors, shut down.
8	862251	1	Tachometer sensor	
9	948884	1	Washer	
10	872939	1	Adapter	
11	3819589	1	Cable harness	
12			Switch	
13	3838198	1	Brace	
14	3588154	1	Stop button	
15	946440	2	Flange screw	
16	945408	2	Flange nut	
17	3831442	2	Block	
18	881871	2	Pressure monitor, coolant water/oilpressure	0-4bar
19	957030	2	Fitting	
20	3818709	1	Bracket	
21	947107	4	Flange screw	
22		4	Spacer sleeve	
23	11994	4	Gasket	
24	947671	4	Allen head screw	
25	3835380	1	Oil hose	
26	3835281	1	Hose	
27	809109	1	Elbow nipple	
28	947899	1	Nipple	
29	874327	1	Level guard	